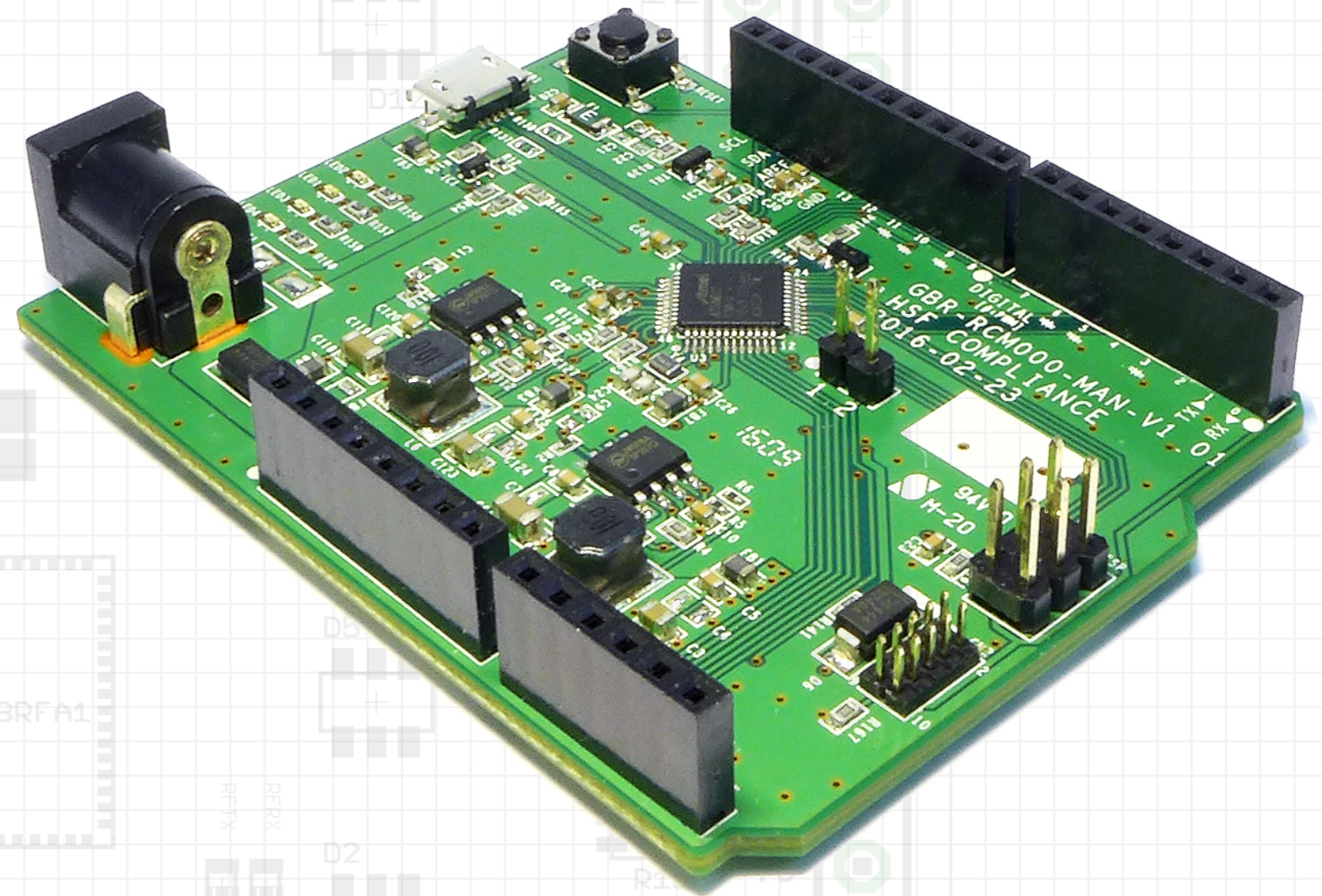


XYZDUINO

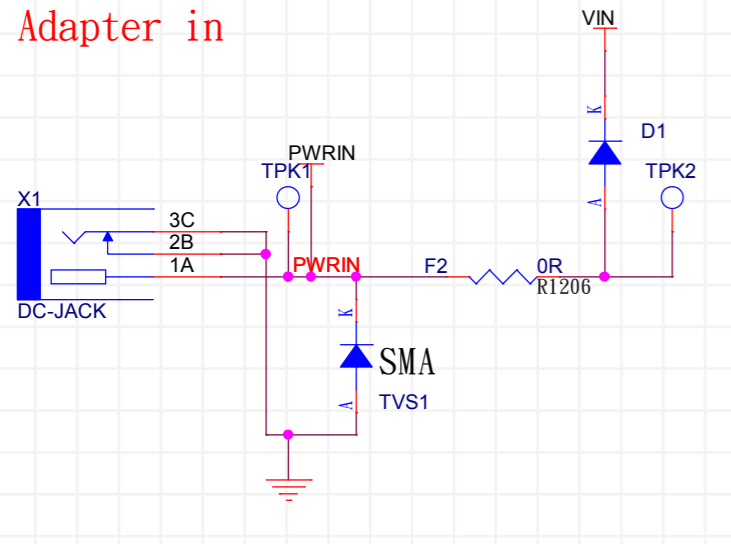
MCU BOARD M0



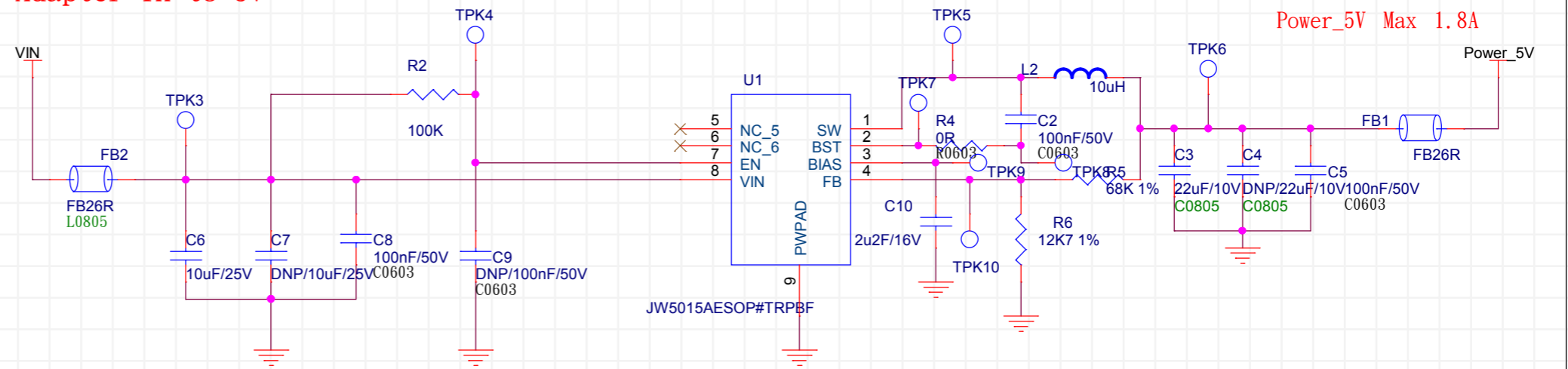
Kinpo Confidential, This confidential document is the property of Kinpo ;
Therefore, should not be copied or circulated without permission.



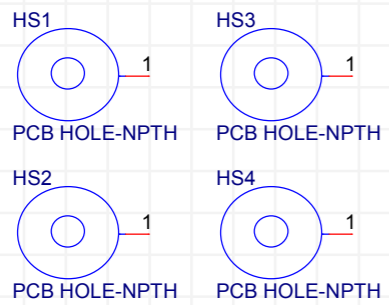
Adapter in



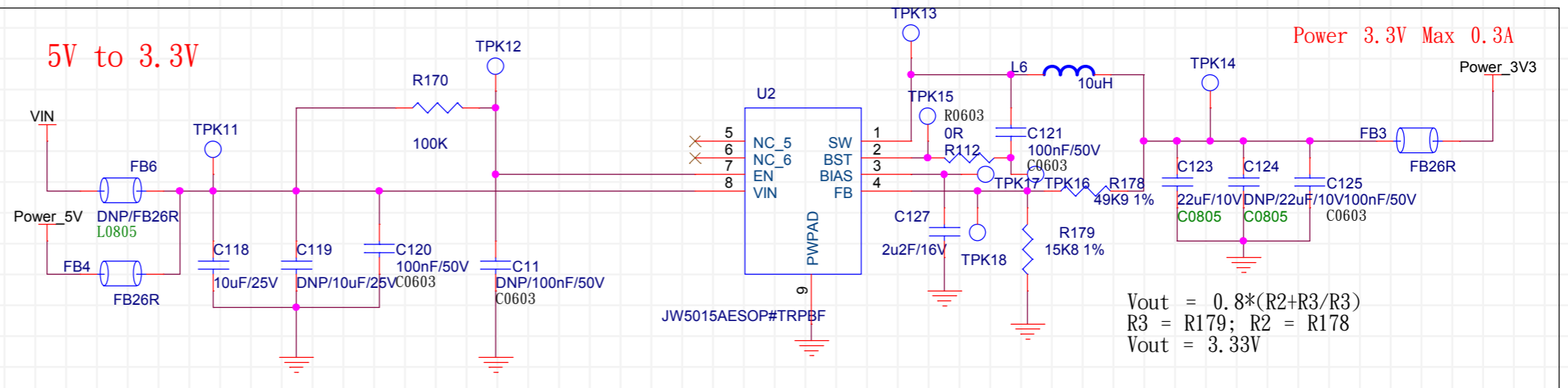
Adapter in to 5V



Screw Hole

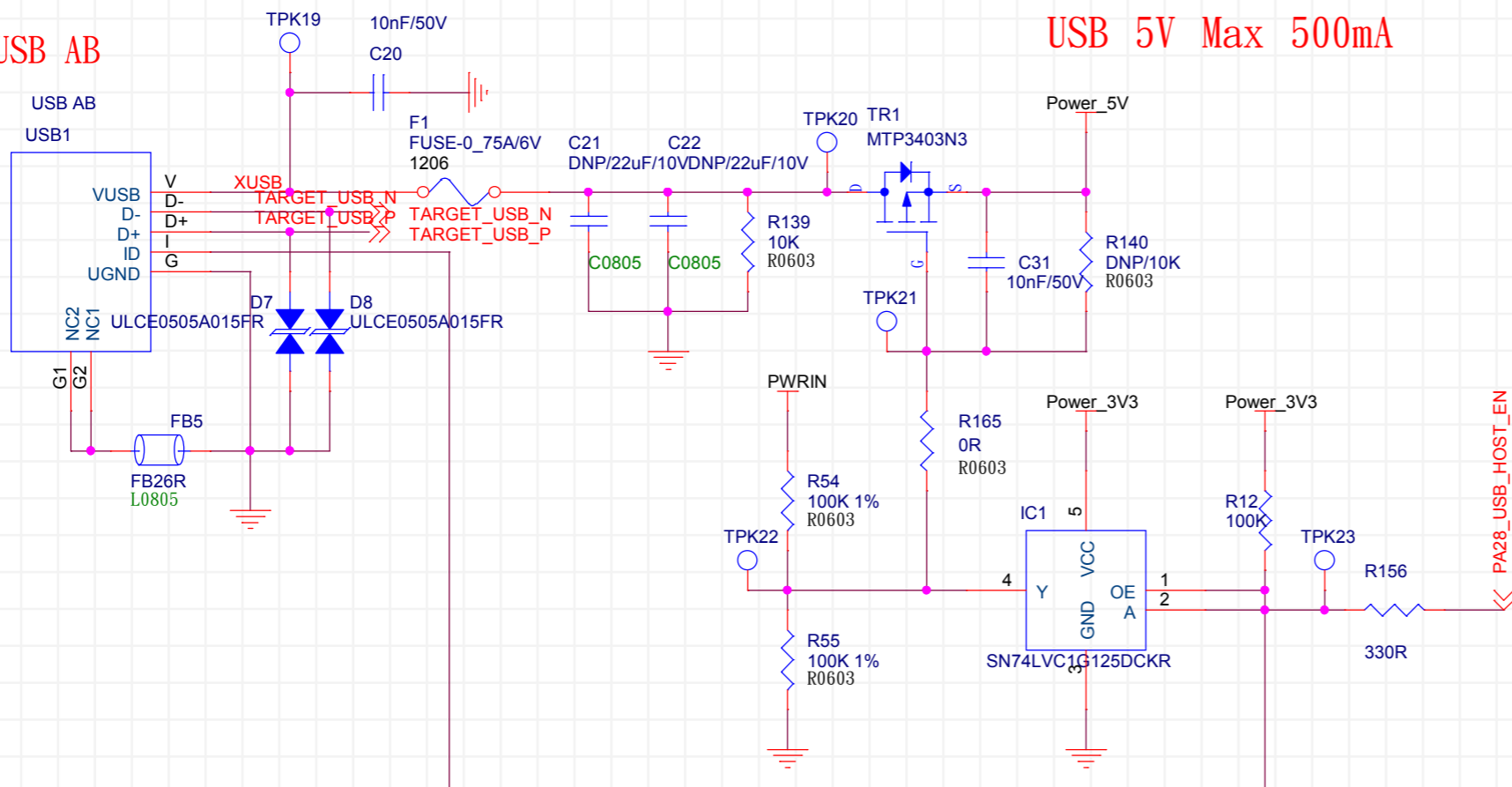


5V to 3.3V

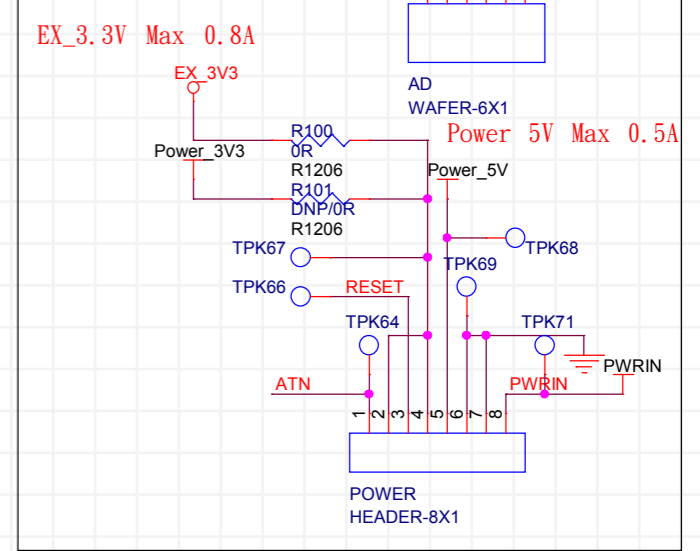
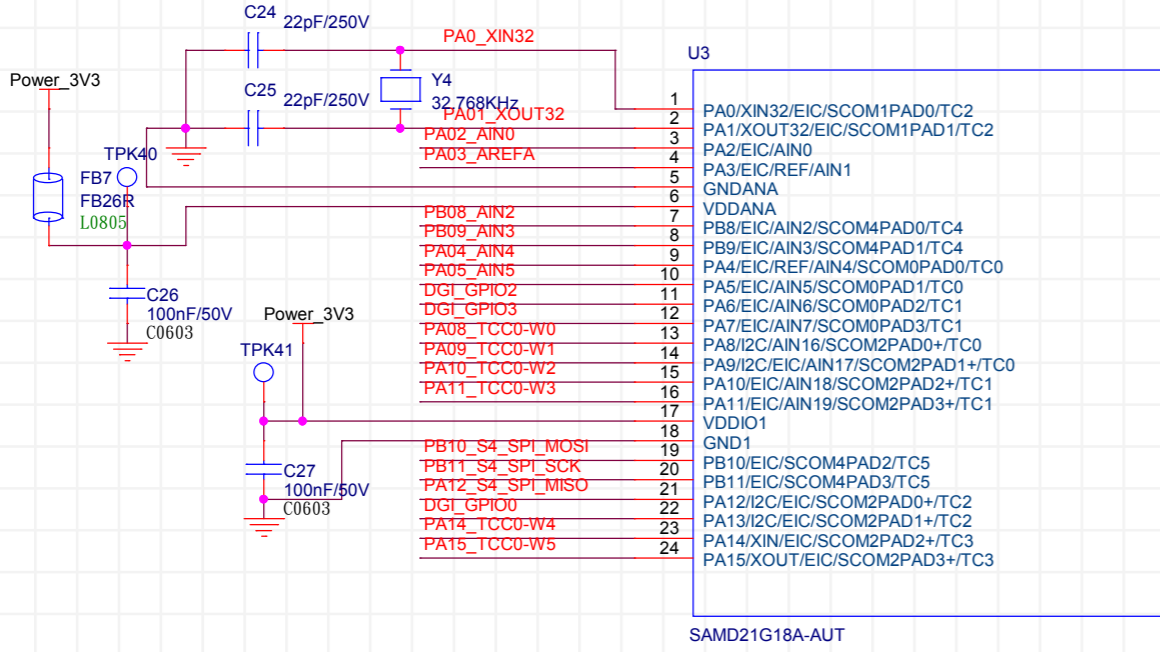
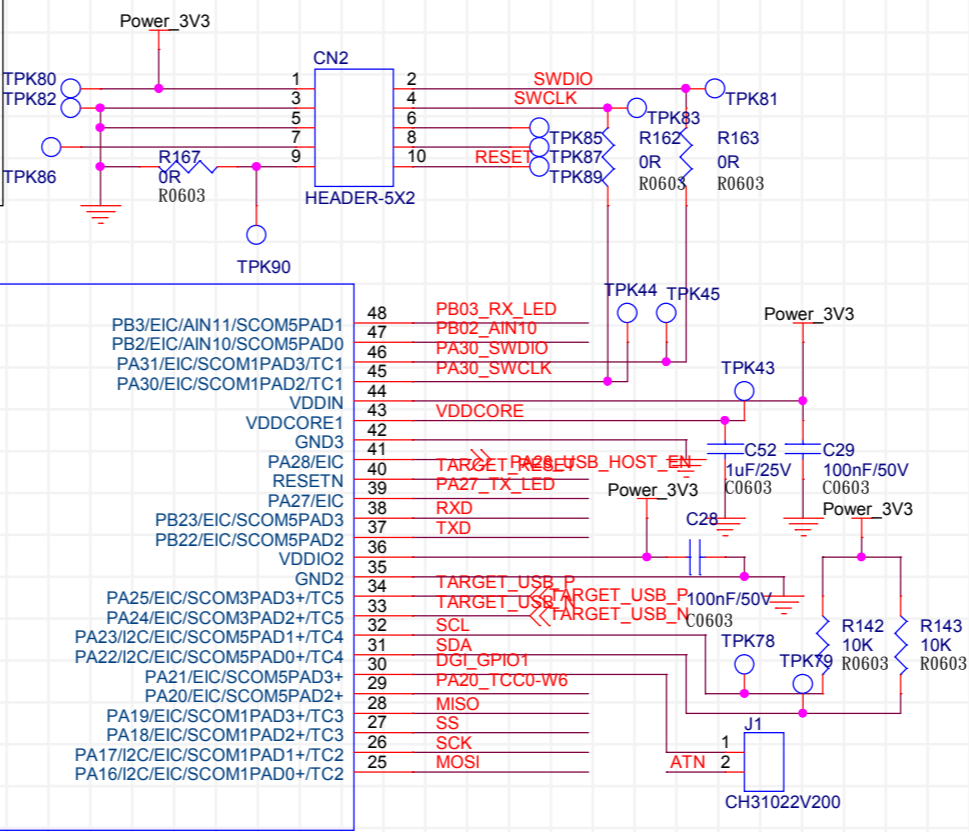
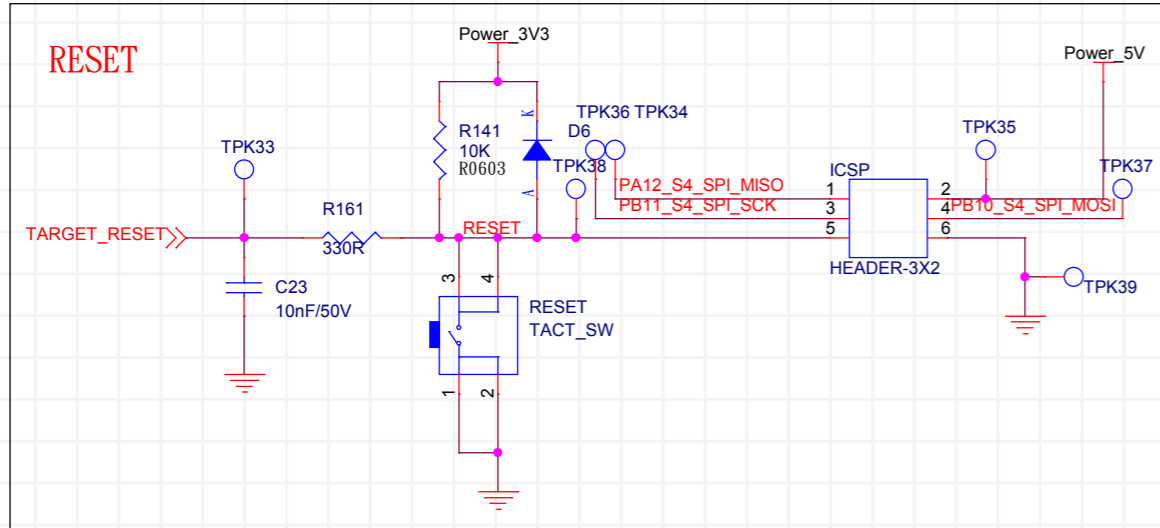
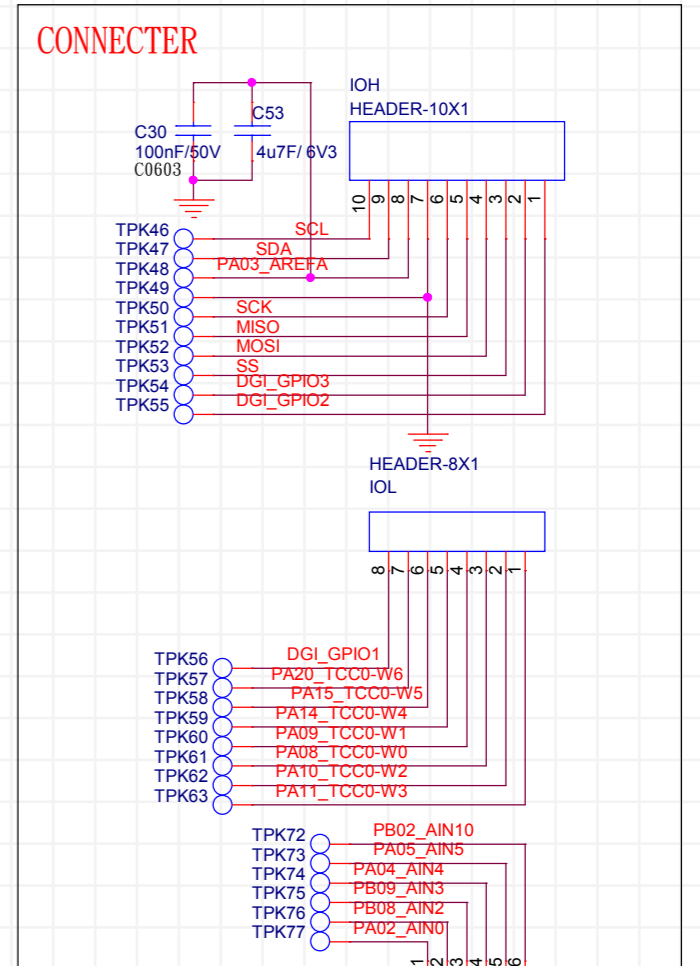
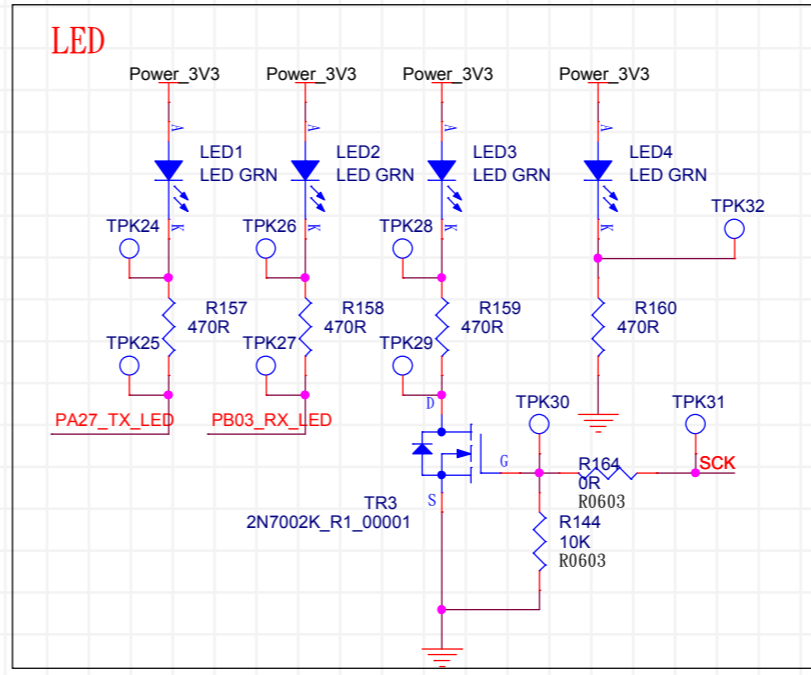
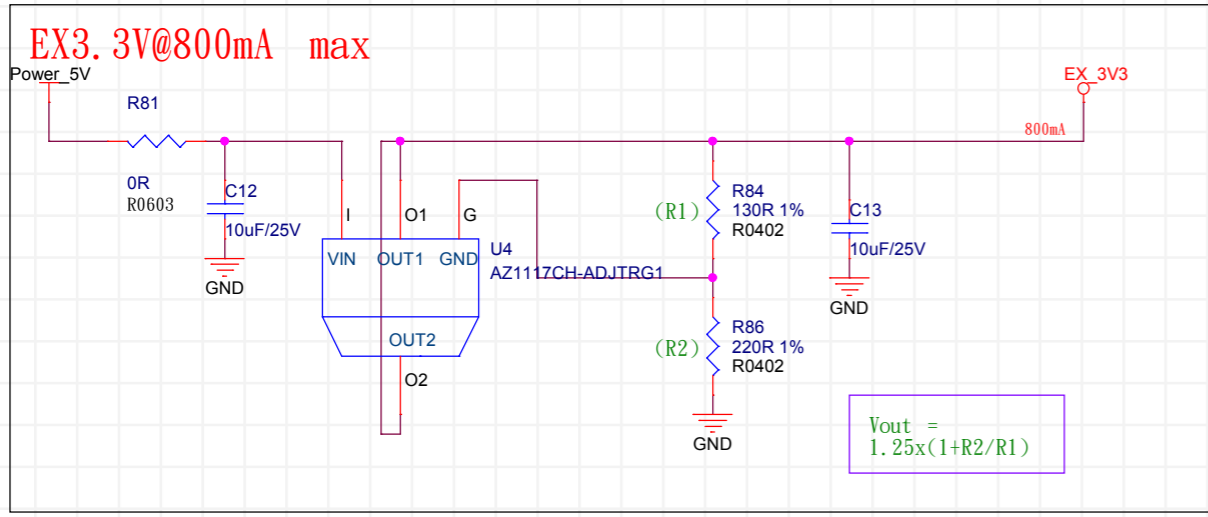


USB AB

USB 5V Max 500mA



XYZDUINO
MCU BOARD M0



XYZDUINO
MCU BOARD M0